

## DS-2CV2U21FD-IW 2 MP IR Fixed Network Cube Camera



- 1/2.7" Progressive Scan CMOS
- 1920 × 1080@30fps
- BLC, HLC, 3D DNR
- H.265, H.265+, H.264, H.264+

- IR range: Up to 10 m
- Built-in micro SD/SDHC/SDXC card slot, up to 256 GB
- Built-in Wi-Fi
- Mobile Monitoring via Hik-Connect



## Specifications

Camera	
Image Sensor	1/2.7" Progressive Scan CMOS
Min. Illumination	Color: 0.028 Lux @ (F2.0, AGC ON), 0 Lux with IR
Shutter Speed	1/3 s to 1/100,000 s
Slow Shutter	Yes
Day & Night	IR Cut Filter
WDR	DWDR
Angle Adjustment	Pan: 0° to 360°, Tilt: -70° to 25°
Lens	
Lens Type	Fixed lens, 2.0/2.8 mm
Aperture	2.0 mm: F2.2 2.8 mm: F2.0
FOV	2.0 mm@F2.2: horizontal FOV: 136°, vertical FOV: 80°, diagonal FOV: 153° 2.8 mm@F2.0: horizontal FOV: 112°, vertical FOV: 60°, diagonal FOV: 132°
Lens Mount	M12
Illuminator	
IR Range	Up to 10 m
Wavelength	850 nm
Video	
Max. Resolution	1920 × 1080
Main Stream	50Hz: 25fps (1920 × 1080, 1280 × 720) 60Hz: 30fps (1920 × 1080, 1280 × 720)
Sub Stream	50Hz: 25fps (640 × 360) 60Hz: 30fps (640 × 360)
Video Compression	Main stream: H.265+/H.264+/H.265/H.264 Sub-stream: H.265/H.264/MJPEG
H.264 Type	Baseline Profile/Main Profile
H.265 Type	Main Profile
Video Bit Rate	32 Kbps to 8 Mbps
Audio	
Audio Compression	G.711/G.722.1/G.726/MP2L2/PCM
Audio Bit Rate	64Kbps(G.711)/16Kbps(G.722.1)/16Kbps(G.726)/32-192Kbps(MP2L2)
Environment Noise Filtering	Yes
Audio Sampling Rate	8 kHz/16 kHz
Smart Feature-Set	
Basic Event	Motion detection, exception (network disconnected, IP address conflict, illegal login, HDD full, HDD error)
Linkage Method	Upload to NAS/memory card, notify surveillance center, trigger recording, trigger capture, audible warning

<b>Image</b>	
Image Enhancement	BLC, HLC, 3D DNR
Image Setting	Saturation, brightness, contrast, sharpness, AGC and white balance adjustable by client software
Day/Night Switch	Day/Night/Auto/Schedule
SNR	> 50dB
<b>Network</b>	
Network Storage	microSD/SDHC/SDXC card (256 GB) local storage, ANR and NAS (NFS,SMB/CIFS)
Protocols	TCP/IP, ICMP, DHCP, DNS, DDNS, HTTP, RTP, RTSP, NTP, UPnP, IGMP, IPv6, UDP, QoS, Bonjour
API	ISAPI, SDK
Security	Password protection, complicated password, watermark, IP address filter
Simultaneous Live View	Up to 6 channels
User/Host	Up to 32 users, 3 levels: administrator, operator and user
Client	iVMS-4200, Hik-Connect, iVMS-4500, iVMS-5200
<b>Interface</b>	
Audio	Built-in microphone & speaker
On-board storage	Built-in micro SD/SDHC/SDXC slot, up to 256 GB
<b>Wi-Fi</b>	
Protocol	IEEE802.11b, 802.11g, 802.11n
Frequency	2.4 GHz - 2.4835 GHz
Channel Bandwidth	20/40MHz Support
Modulation	802.11b: DSSS, 802.11g: OFDM, 802.11n(20MHz&40MHz): OFDM
Security	64/128-bit WEP, WPA-EAP/WPA2-EAP, WPA-PSK/WPA2-PSK
Transfer Rate	11b: 11Mbps, 11g: 54Mbps, 11n: up to 150Mbps
Wireless Range	80 meters (The performance varies based on actual environment)
<b>General</b>	
General Function	Anti-flicker, heartbeat, mirror, password protection, flash log
Reset	Reset via reset button on camera body and client software
Startup and Operating Conditions	-10 °C to 40°C (14 °F to 104 °F), humidity 95% or less (non-condensing)
Storage Conditions	-10 °C to 40°C (14 °F to 104 °F), humidity 95% or less (non-condensing)
Power Supply	5 VDC ± 10%, micro USB interface
Power Consumption and Current	5 VDC, 1.3 A, max. 6.5 W
Material	Plastic
Dimensions	Camera: Ø64 × 112 mm (Ø2.5" × 4.4") With package: 216 × 121 × 118 mm (8.5" × 4.8" × 4.6")
Weight	Camera: Approx. 120 g (0.3 lb.) With package: Approx. 390 g (0.9 lb.)

**Approval**

EMC	47 CFR Part 15, Subpart B; EN 55032: 2015, EN 61000-3-2: 2014, EN 61000-3-3: 2013, EN 50130-4: 2011 +A1: 2014; AS/NZS CISPR 32: 2015; ICES-003: Issue 6, 2016; KN 32: 2015, KN 35: 2015
Safety	UL 60950-1, IEC 60950-1:2005 + Am 1:2009 + Am 2:2013, EN 60950-1:2005 + Am 1:2009 + Am 2:2013, IS 13252(Part 1):2010+A1:2013+A2:2015, IEC/EN 60950-1
Chemistry	2011/65/EU, 2012/19/EU, Regulation (EC) No 1907/2006

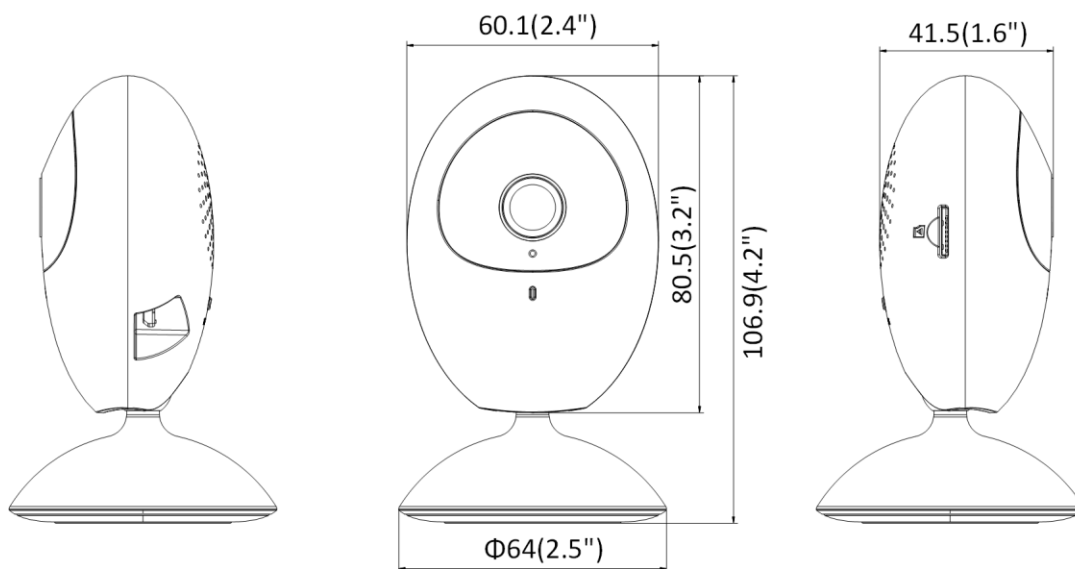
\* Listed resolutions are only selectable options. It does not mean that all streams can work at their maximum resolution at the same time.

**Available Model**

DS-2CV2U21FD-IW (2.0 mm)

DS-2CV2U21FD-IW (2.8 mm)

**Dimension**



Unit: mm(inch)

Distributed by

**HIKVISION®****Headquarters**

No.555 Qianmo Road, Binjiang District,  
Hangzhou 310051, China  
T +86-571-8807-5998  
overseasbusiness@hikvision.com

**Hikvision USA**  
T +1-909-895-0400  
sales.usa@hikvision.com

**Hikvision Australia**  
T +61-2-8599-4233  
salesau@hikvision.com

**Hikvision India**  
T +91-22-28469900  
sales@pramahikvision.com

**Hikvision Canada**  
T +1-866-200-6690  
sales.canada@hikvision.com

**Hikvision Thailand**  
T +662-275-9949  
sales.thailand@hikvision.com

**Hikvision Europe**  
T +31-23-5542770  
sales.eu@hikvision.com

**Hikvision Italy**  
T +39-0438-6902  
info.it@hikvision.com

**Hikvision Brazil**  
T +55 11 3318-0050  
Latam.support@hikvision.com

**Hikvision Turkey**  
T +90 (216)521 7070- 7074  
sales.tr@hikvision.com

**Hikvision Malaysia**  
T +601-7652-2413  
sales.my@hikvision.com

**Hikvision UK & Ireland**  
T +01628-902140  
sales.uk@hikvision.com

**Hikvision South Africa**  
Tel: +27 (10) 0351172  
sale.africa@hikvision.com

**Hikvision France**  
T +33(0)1-85-330-450  
info.fr@hikvision.com

**Hikvision Kazakhstan**  
T +7-727-9730667  
nikia.panfilov@hikvision.ru

**Hikvision Vietnam**  
T +84-974270888  
sales.vt@hikvision.com

**Hikvision UAE**  
T +971-4-4432090  
salesme@hikvision.com

**Hikvision Singapore**  
T +65-6684-4718  
sg@hikvision.com

**Hikvision Spain**  
T +34-91-737-16-55  
info.es@hikvision.com

**Hikvision Tashkent**  
T +99-87-1238-9438  
uzb@hikvision.ru

**Hikvision Hong Kong**  
T +852-2151-1761  
info.hk@hikvision.com

**Hikvision Russia**  
T +7-495-669-67-99  
sateru@hikvision.com

**Hikvision Korea**  
T +82-(0)31-731-8817  
sales.korea@hikvision.com

**Hikvision Poland**  
T +48-22-460-01-50  
info.pl@hikvision.com

**Hikvision Indonesia**  
T +62-21-2933759  
Sales.Indonesia@hikvision.com

**Hikvision Colombia**  
sales.colombia@hikvision.com