

**DS-2CE56D0T-IPF**  
**2 MP Indoor IR Turret Camera**



**Key Features**

- 2 MP high performance CMOS
- 1920 × 1080 resolution
- 2.8 mm, 3.6 mm fixed lens
- Up to 20 m IR distance
- OSD menu, DNR, DWDR
- 4 in 1 video output (switchable TVI/AHD/CVI/CVBS)
- Up the coax

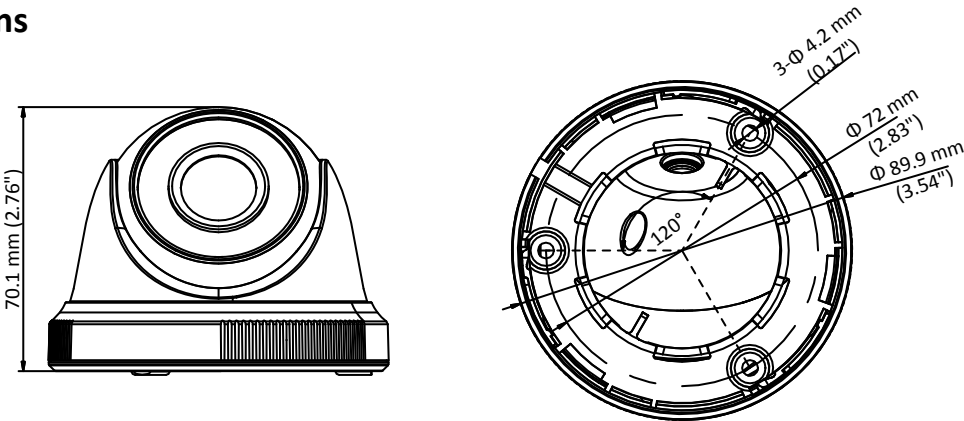
## Specifications

<b>Camera</b>	
Image Sensor	2 MP CMOS image sensor
Signal System	PAL/NTSC
Frame Rate	PAL: 1080p@25fps NTSC: 1080p@30fps
Resolution	1920 (H) × 1080 (V)
Min. illumination	0.02 Lux @ (F1.2,AGC ON), 0 Lux with IR
Shutter Time	PAL: 1/25 s to 1/50, 000 s NTSC: 1/30 s to 1/50, 000 s
Lens	2.8 mm, 3.6 mm fixed lens
Horizontal Field of View	103° (2.8 mm), 82.2° (3.6 mm)
Lens Mount	M12
Day & Night	IR cut filter
Angle Adjustment	Pan: 0° to 360°, Tilt: 0° to 75°, Rotation: 0° to 360°
Synchronization	Internal synchronization
WDR (Wide Dynamic Range)	DWDR
<b>Menu</b>	
Image Mode	STD/HIGH-SAT
AGC	Support
Day/Night Mode	Smart/color/BW(Black and White)
Backlight Compensation	Support
DWDR	Support
Language	English
Functions	Brightness, Sharpness, DNR, Mirror
<b>Interface</b>	
Video Output	1 HD analog output
Switch Button	TVI/AHD/CVI/CVBS
<b>General</b>	
Operating Conditions	-40 °C to 60 °C (-40 °F to 140 °F), Humidity: 90% or less (non-condensation)
Power Supply	12 VDC±15%
Power Consumption	Max. 4 W
Material	Plastic
IR Range	Up to 20 m
Dimension	∅ 89.9 mm × 70.1 mm (∅ 3.54" × 2.76")
Weight	Approx. 250 g (0.55 lb.)

### Order Model

DS-2CE56D0T-IPF

### Dimensions



### Accessories



DS-1272ZJ-110-TRS  
Wall Mount



DS-1275ZJ-SUS  
Vertical Pole Mount



DS-1276ZJ-SUS  
Corner Mount



DS-1H18  
Video Balun



DS-1280ZJ-X  
Junction Box